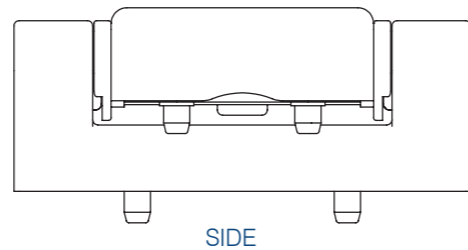
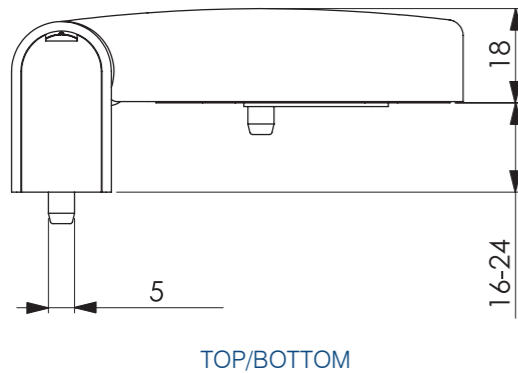
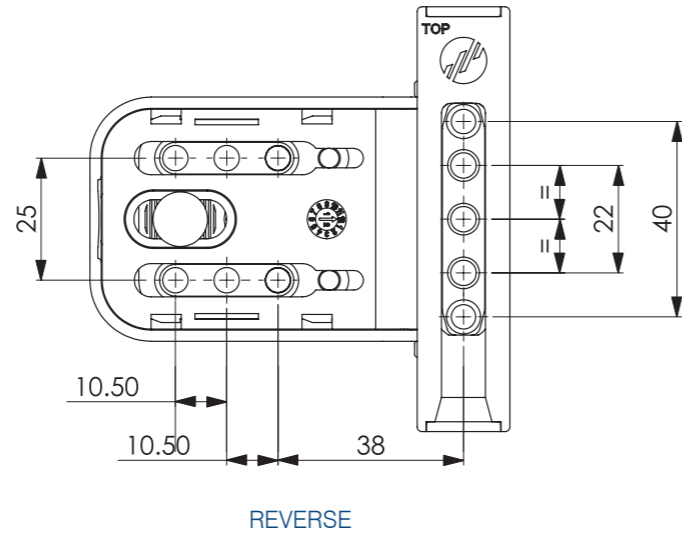
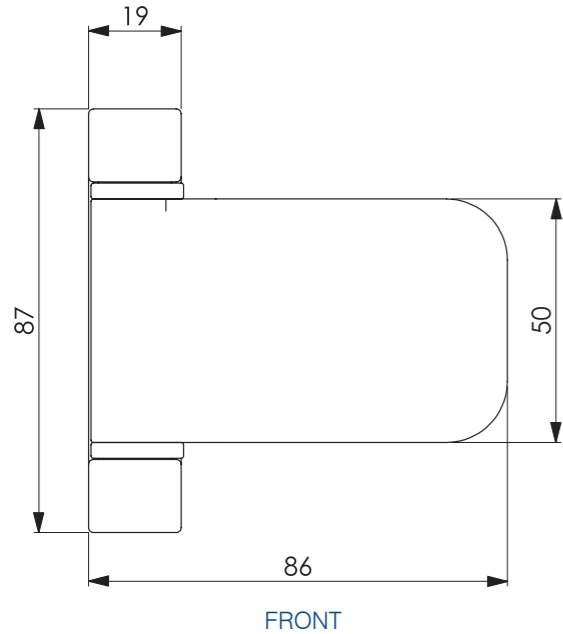


TECHNICAL DRAWINGS



GUARANTEES & ACCREDITATIONS

Designed to achieve:

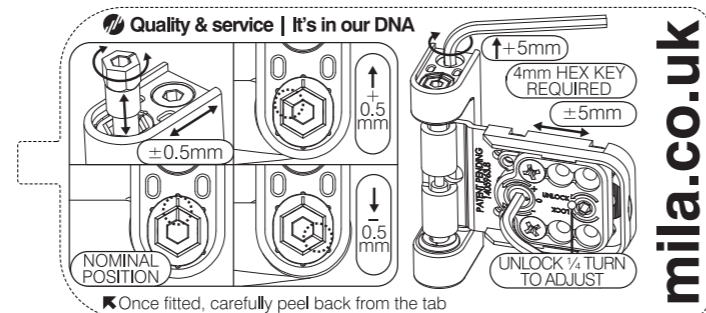
- Secured by Design - Police Preferred Specification
- PAS 24:2012 (enhanced security performance)
- BSEN 1670:2007 Grade 5 (exceptionally high corrosion resistance)
- BSEN 1935:2002 Grade 12 (extreme durability achieving 200,000 cycles under load)

25 years Mechanical Guarantee  
10 years Surface Finish (powder coated) Guarantee  
5 years Surface Finish (plated) Guarantee

**Secured by Design**  
SBD  
Police Preferred Specification

ADJUSTMENT INSTRUCTIONS

Easy peel, static-cling TechTape protects the hinge cover during installation and conveniently shows adjustment instructions.



**Universal Trade Frames**

now fabricating with Mila's

**High Security Door Hinge**

Patented front adjustment - fast, not fiddly.



AN INSTALLERS  
**DREAM**

Two easy installation options:

1. Mila's Glider technology allows the hinge to slide straight onto the frame in one complete piece
2. For low reveals, simply remove the pin to fit from the front



# PROSECURE HIGH SECURITY DOOR HINGE

The ProSecure door hinge features patented front adjustment & offers a 25 year mechanical guarantee.

## TWO INSTALLATION OPTIONS

Mila's Glider technology allows the whole hinge to slide directly onto the frame. Or, for low reveals, simply remove the steel pin and front-fit the hinge like a butt hinge.

## PATENTED FRONT ADJUSTMENT METHOD

+/- 5mm lateral adjustment can be achieved from the front of the hinge, with 90° rotation of a 4mm Allen key, which can then be 'locked' into place to prevent adjustment creep.

Vertical (+5mm) and compression (+/-1mm) adjustment can also be achieved from the top of the hinge for full 3D refinement.

## TECHTAPE

Static-cling TechTape protects the hinge lid during fabrication and installation. Adjustment instructions are printed onto the protective tape.

## 13 COLOUR OPTIONS

The ProSecure door hinge is available in 8 suited colours and a further 5 profile colour-matched options are also available including Chartwell Green, Anthracite Grey, Silk Grey, Cement Grey and Cream.

## 2 INSTALLATION OPTIONS



1. Slide-on



2. Front-fit on-site for low reveals



## EXTREME PERFORMANCE TESTED

The hinge has been independently tested to the enhanced security requirements of PAS 024:2012, extreme corrosion resistance tested to BSEN1670:2007 grade 5 and tested to BSEN1935: 2002 grade 12 - achieving 200,000 cycles under 100kg load for extreme operational reliability.

Two hinges will easily carry a 100kg sash.

Security for externally fitted hinges is achieved by a fixing screw on the back of the hinge. This prevents the lid from being lifted once fitting is complete.

The hinge is a Police Preferred Specification product and is Secured by Design accredited.

## Secured by Design



# FASTER TO FIT THAN ANY OTHER HINGE BECAUSE...

## 2 Installation Options

Slide-on or front-fit - the choice is yours

## Front-Fit

The hinge can be fitted from the front too - simply remove the steel hinge pin. Perfect for low reveals

## Glider Technology

Fix the Glider to the frame, then simply slide the whole hinge onto it - fast, simple



## Extreme Performance

Designed to achieve:

- BSEN 1670:2007 Grade 5 (extreme corrosion resistance)
- BSEN 1935:2002 Grade 12 (extreme durability achieving 200,000 cycles under load)
- PAS 24:2014 (enhanced security)
- Secured by Design



**Captive Hinge Lid**  
Pivots open & closed for fast, easy installation



## Security Screw

Provides enhanced security for externally fitted hinges

## Patented Adjustment

Our patented front adjustment method is fast not fiddly! Rotate your Allen key 90° to achieve +/-5mm lateral adjustment